

USED ON  
C 4033

BD. POS.	W/F	SOURCE	IMMEDIATE CONNECTIONS
23		NC	
24		NC	
25		NC	

23	J1'	20/3	35/B
24	J5	52/R	
25	J9	48/R	

23	J2'	20/5	36/10
24	J6	51/R	
25	J10	45/R	

23	JTPC	47/24	47/23 24/L
24	JTPC	47/24	23/L 25/L
25	JTPC	47/24	24/L

23		NC	
24		NC	
25		NC	

23		NC	
24		NC	
25		NC	

23	J3'	20/7	
24	J7	50/R	
25	J11	44/R	

23	WFR	5/13	24/14
24	WFR	5/13	23/14 25/14
25	WFR	5/13	24/14

23	J4	53/R	63/L
24	J8	49/R	
25	J12	43/R	

BD. POS.	W/F	SOURCE	IMMEDIATE CONNECTIONS
23		NC	
24		NC	
25		NC	

23	PC4	22/22	
24	PC6	N.C.	
25	PC10	N.C.	

23	PC1	22/23	
24	PC5	N.C.	
25	PC9	N.C.	

23	PC14*	22/U	
24	PC5/12*	22/X	
25	PC5/12*	22/X	

BD. POS.	W/F	FINAL DEST.	IMMEDIATE CONNECTIONS
23		NC	
24		NC	
25		NC	

23	PC2	SKT2/AA	
24	PC8	SKT2/EE	
25	PC10	SKT2/JJ	

23	PC2	22/22	
24	PC6	N.C.	
25	PC10	N.C.	

23	PC1	22/23	
24	PC5	N.C.	
25	PC9	N.C.	

23	PC1	SKT2/E	
24	PC5	SKT2/DD	
25	PC9	SKT2/HH	

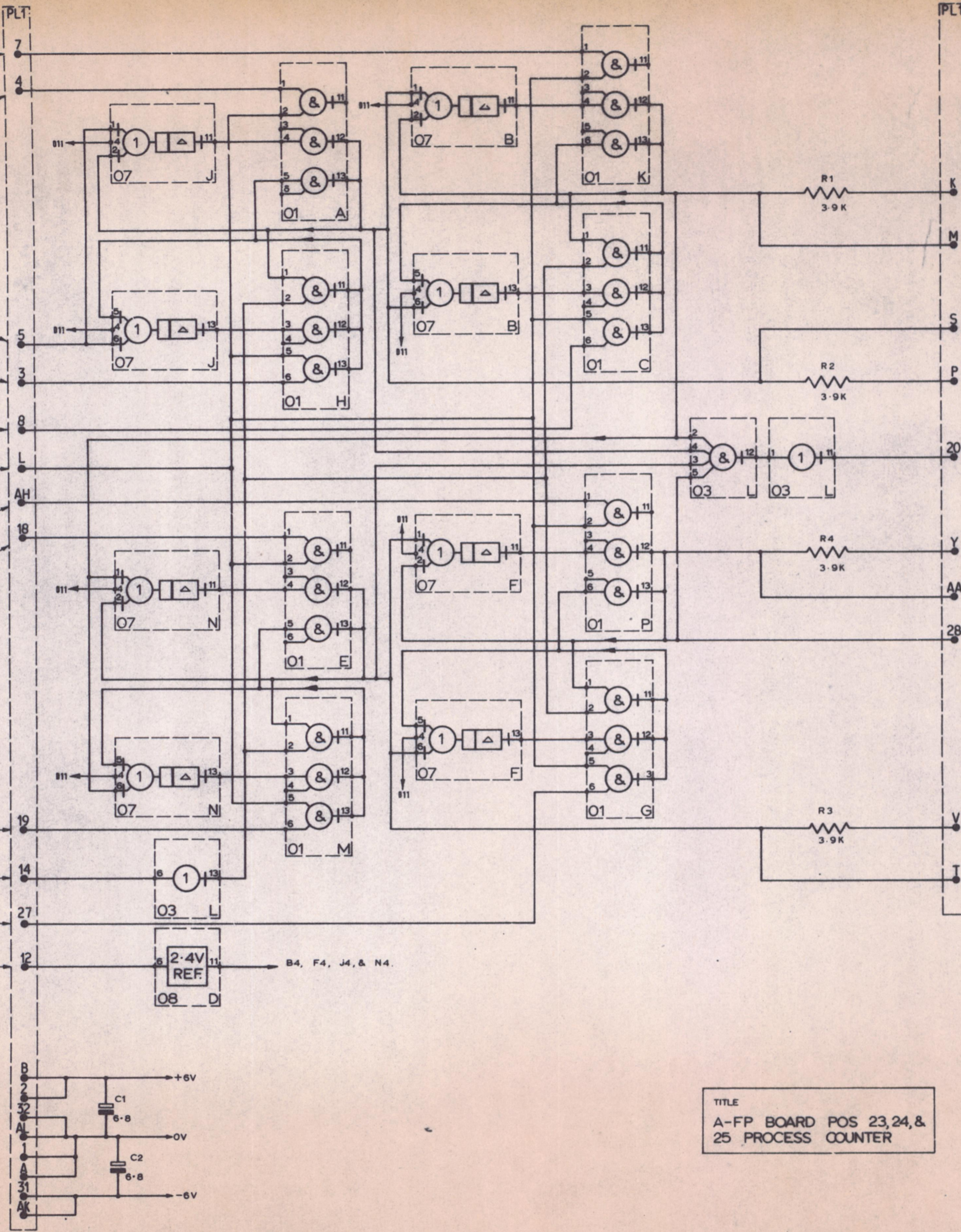
23	PC4	SKT2/CC	
24	PC8	SKT2/GG	
25	PC12	SKT2/LL	

23	PC4	22/21	
24	PC8	N.C.	
25	PC12	N.C.	

23	PC4	24/5	
24	PC8	25/5	
25			

23	PC3	SKT2/BB	
24	PC7	SKT2/FF	
25	PC11	SKT2/KK	

23	PC3	22/Y	
24	PC7	N.C.	
25	PC11	N.C.	



TITLE  
A-FP BOARD POS 23,24, &  
25 PROCESS COUNTER

22

LATEST MI INCORPORATED: MI 2468 2998

ISSUE No.	1	MATERIAL	FINISH	ELLIOTT BROTHERS (LONDON) LTD
ALT <sup>m</sup> No.	1740			
DATE	23.6.66			
INITIALS	S.S.			
PARTS LIST No.				
DRAWN	D & D	CHECKED	CS 6/3	DATE
				7-11-66
TOLERANCES		UNLESS OTHERWISE STATED		
DECIMALS		ANGULAR DIMENSIONS		
TITLE		SCALE		
A-FP BOARD POS 23,24, & 25 PROCESS COUNTER		322D 5214		
DRAWING No.		322D 5214		